

# 3CDimplex

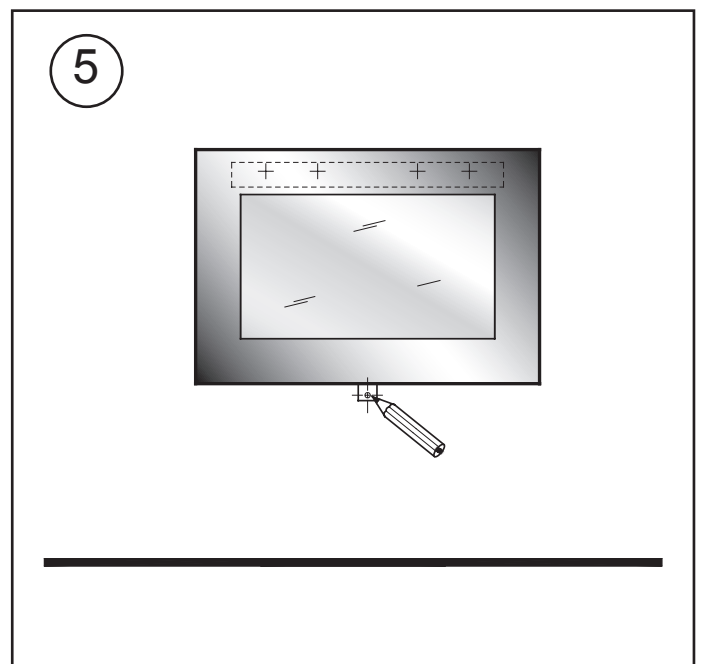
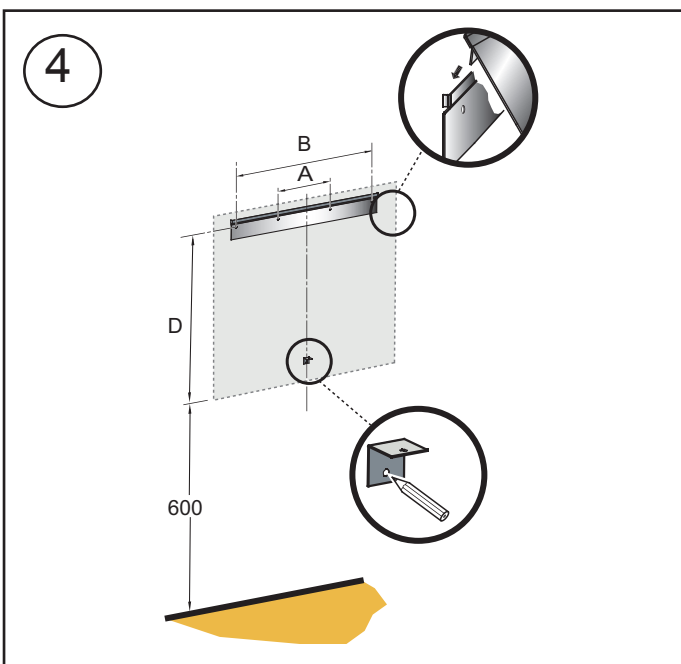
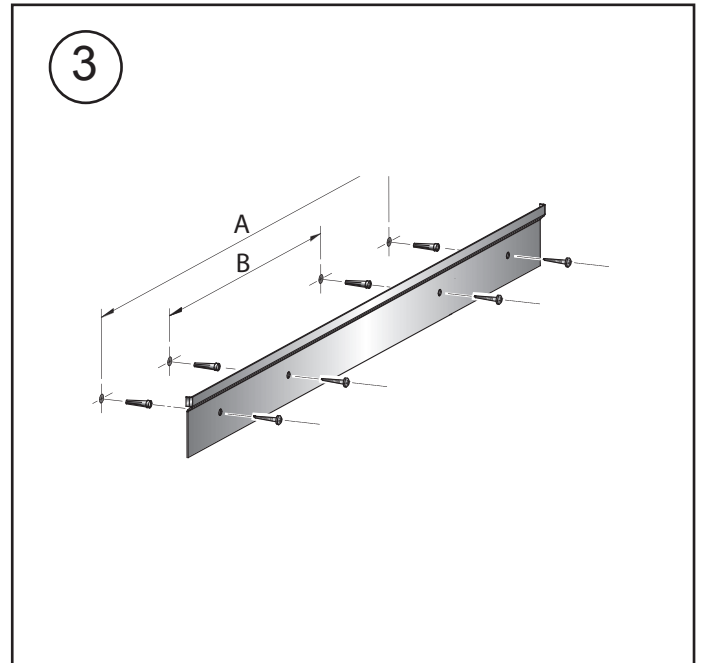
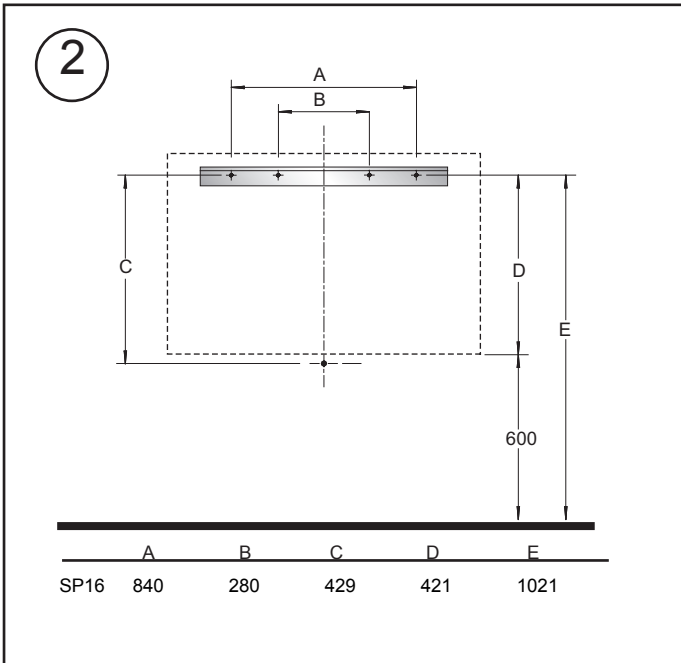
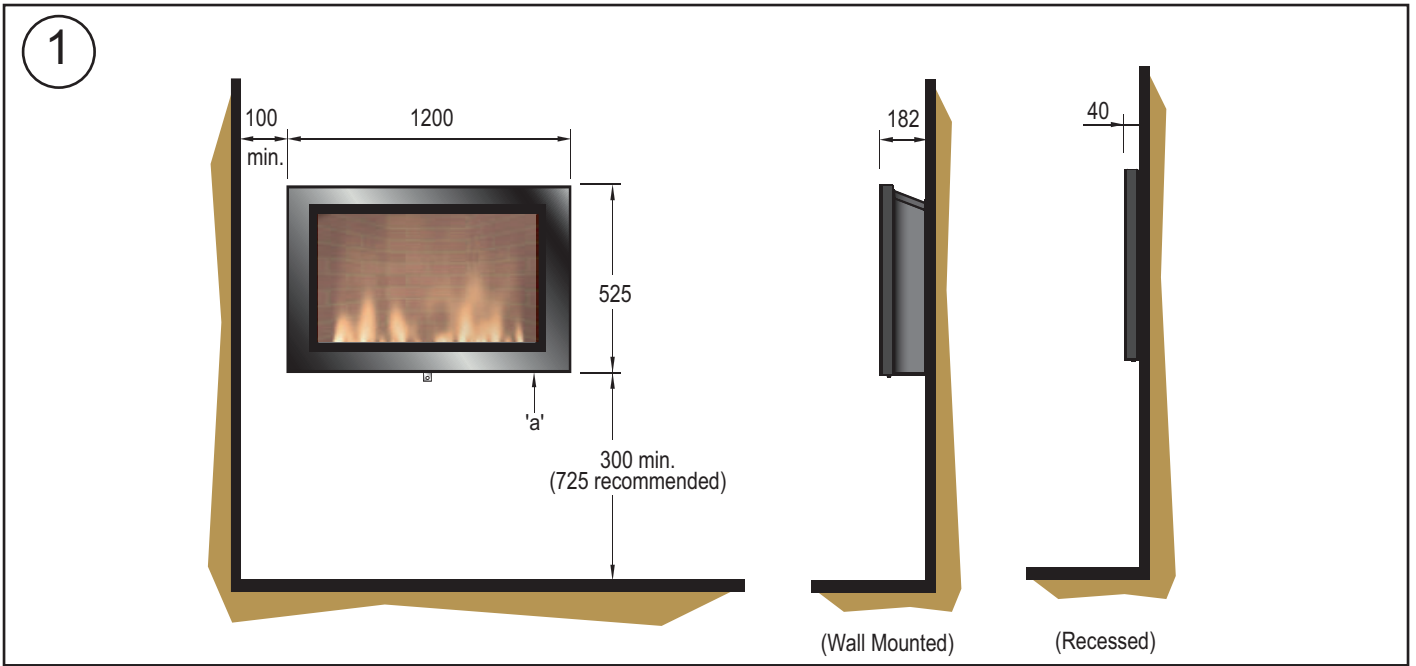


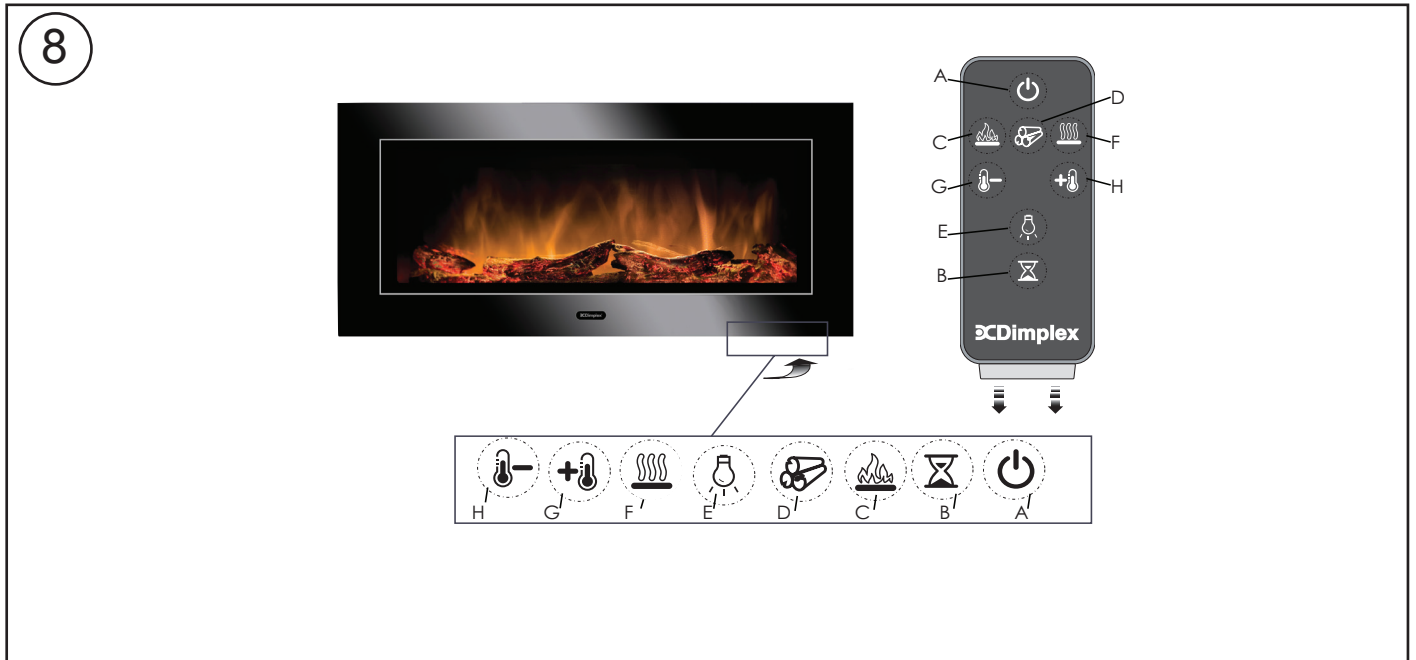
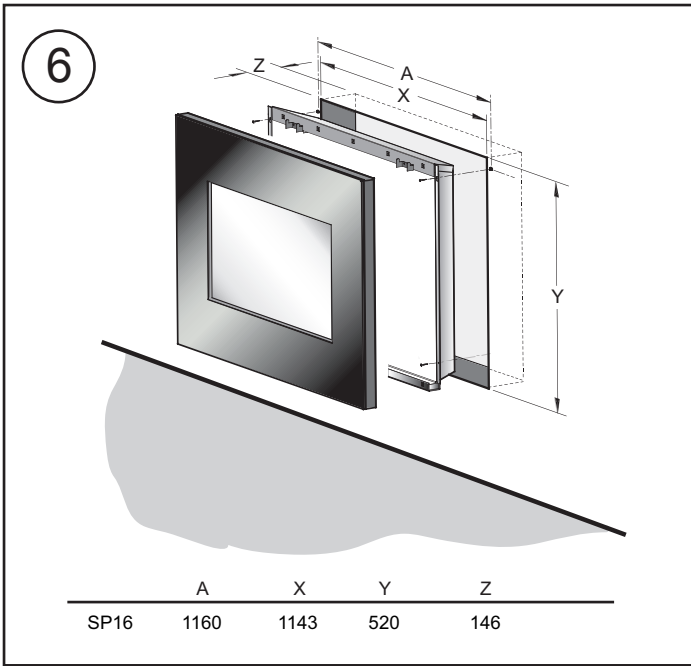
SP16

GB

RU

UA





IMPORTANT: THESE INSTRUCTIONS SHOULD BE READ CAREFULLY AND RETAINED FOR FUTURE REFERENCE

### Important Safety Advice

When using electrical appliances, basic precautions should be followed to reduce the risk of fire, electric shock, and injury to persons, including the following: If the appliance is damaged, check immediately with the supplier before installation and operation.

Do not use this appliance in the immediate surroundings of a bath, shower or swimming pool.

Do not use outdoors.

This appliance must not be located immediately above or below a fixed socket outlet or connection box.

**⚠ WARNING:** The appliance carries the Warning Symbol indicating that it must not be covered or has a Do not cover label. Do not cover or obstruct in any way the heat outlet grille located above the flame window on the appliance. Overheating will result if the appliance is accidentally covered. Do not place material or garments on the appliance, or obstruct the air circulation around the appliance, for instance by curtains or furniture, as this could cause overheating and a fire risk.

In the event of a fault unplug the heater. Unplug the appliance when not required for long periods. The supply cord must be placed on the right hand side of the heater away from the heat outlet underneath the appliance.

This appliance can be used by children aged from 8 years and above and persons with reduced physical, sensory or mental capabilities or lack of experience and knowledge if they have been given supervision or instruction concerning use of the appliance in a safe way and understand the hazards involved. Children shall not play with the appliance. Cleaning and user maintenance shall not be made by Children without supervision.

Children of less than 3 years should be kept away unless continuously supervised. Children aged from 3 years and less than 8 years shall only switch on/off the appliance provided that it has been placed or installed in its intended normal operating position and they have been given supervision or instruction concerning use of the appliance in a safe way and understanding the hazards involved. Children aged from 3 years and less than 8 years shall not plug in, regulate and clean the appliance or perform user maintenance.

**The appliance must be positioned so that the plug is accessible.**

**Although this appliance complies with safety standards, we do not recommend its use on deep pile carpets or on long hair type of rugs.**

**If the supply cord is damaged it must be replaced by the manufacturer or service agent or similarly qualified person in order to avoid a hazard.**

**CAUTION:** In order to avoid a hazard due to inadvertent resetting of the thermal cut-out, this appliance must not be supplied through an external switching device, such as a timer, or connected to a circuit that is regularly switched on and off by the utility.

**CAUTION -** Some parts of this product can become very hot and cause burns. Particular attention has to be given where children and vulnerable people are present.

### Technical Information

Model No: DF2608-EUE, DF2608-EU, DF2608-AU

Heat Output 230V 240V

Nominal Heat Output	$P_{Nom}$	1.9	-	2.0	kW
Minimum Heat Output	$P_{min}$	0.9	-	1.0	kW
Maximum Continuous Heat Output	$P_{max,c}$	1.9	-	2.0	kW

Auxiliary Electricity Consumption

In Standby mode	$eI_{SB}$	0.41	-	0.42	W
-----------------	-----------	------	---	------	---

with electronic room temperature control

### General

Unpack the heater carefully and retain the packaging for possible future use, in the event of moving or returning the fire to your supplier.

The fire incorporates a flame effect, which can be used with or without heating, so that the comforting effect may be enjoyed at any time of the year. Using the flame effect on its own only requires little electricity.

Before connecting the heater check that the supply voltage is the same as that stated on the heater.

**Please note: Used in an environment where background noise is very low, it may be possible to hear a sound which is related to the operation of the flame effect. This is normal and should not be a cause for concern.**

A sudden change in temperature (for example, moving the unit from frost to a warm room) can cause condensation of moisture inside the device and disrupt its operation when turned on.

The device, after transporting or storing at a negative temperature of outside air, must be kept in a warm room for at least 3 hours, after which it can be put into operation.













### Electrical Connection

**⚠ WARNING: THIS APPLIANCE MUST BE EARTHED**



This heater must be used on an AC ~ supply only and the voltage marked on the heater must correspond to the supply voltage.

Before switching on, please read the safety warnings and operating instructions.



**Controls:** See Fig. 3

	Icon	Display	Function	Description
A		-	Power / Standby	Press once to turn the product 'ON'. Press a second time to put the product into 'STANDBY' (When returning from 'STANDBY' mode the product will return to previous settings unless the product has been plugged out, in which case it will reset to factory settings)
B			Sleep Timer	Press multiple times to change the 'SLEEP TIMER' in 0.5 hr increments from 0.5 hr to 8.0 hr before turning off. The remaining time on the 'SLEEP TIMER' displays. (This icon is <b>Green</b> in Colour)
C		Flame Effect		'FLAME EFFECT' button cycles the unit sequentially through the 4 setting, LOW FLAME, HIGH FLAME, DEMO MODE and OFF.
		F1	Low Flame	This setting will run the flame effect at a low brightness level. (The display will show F1)
		F2	High Flame	This setting will run the flame effect at a high brightness level. (The display will show F2)
		FP	Demo Mode	This setting will slowly pulse the flame effect between low and high brightness. (The display will show FP)
		-	Off	This will turn the flame effect off. If the heater is running, the display will activate and remain active to read the set temperature and show if the product is on LOW HEAT/ HIGH HEAT/COOL BLOW.
D		Log Effect		'LOG EFFECT' button cycles the unit sequentially through the 3 setting, 'PULSING LOGS, STATIC LOGS and OFF.
		LP	Pulsing Logs	This setting will make the logs pulse. (The display will show FP)
		LS	Static Logs	This setting will make the logs stay lit. (The display will show FS)
		-	Off	This setting will turn the logs off.
E		-	On / Off	This button cycles the top light 'On' and 'Off'.
F		Heat		'HEAT' button cycles the unit sequentially through the 4 settings: LOW HEAT, HIGH HEAT, COOL BLOW and OFF. The heat setting will be indicated by an icon in the floating display see Fig.1.  <b>When the flame effect is 'ON' the floating display will turn off after 5 seconds, however if the heater is being used independently of the flame effect. The low heat or high heat icon will appear continuously in the floating display.</b>
			Low Heat	<b>This setting will run the heater at 'LOW HEAT' this setting will be indicated by the 'LOW HEAT' icon and the letters 'LO' appearing in the display. (This icon is Orange in Colour)</b>
			High Heat	<b>This icon in the floating display indicates 'HIGH HEAT' this setting will be indicated by the 'HIGH HEAT' icon and the letters 'HI' appearing in the display. (This icon is Red in Colour)</b>
			Cool Blow	<b>This icon in the floating display indicates 'COOL BLOW' this setting will be indicated by the 'COOL BLOW' icon and the letters 'CB' appearing in the display. (This icon is Blue in Colour)</b>
		-	Off	This switches the heater and blower 'OFF', no icon will be displayed in the floating display. Note the blower will run for 10-20 seconds after being turned off this is to ensure the product cools down safely.
G		-	Temp Down	Press multiple times to lower the heater temperature in 1°C increments. The lowest temperature that can be set 5°C. Note: Once you stop at your desired temperature this will flash 3 times, then the display will show the room temperature as detected by the product. If the set temperature is lower than the detected room temperature the heater will not activate.
H		-	Temp Up	Press multiple times to increase the heater temperature in 1°C increments. The highest temperature that can be set 37°C. Note: Once you stop at your desired temperature this will flash 3 times, then the display will show the room temperature as detected by the product. If the set temperature is lower than the detected room temperature the heater will not activate.

### User Modes:

Mode Name /Description	Action (Actions cannot be input by remote control)
Change Celsius (° C) to Fahrenheit (° F)	Press both Temp+ (  ) and Temp- (  ) on the unit and hold until beep is heard and display flashes. (To revert back to Celsius repeat this action)

Disable/Enable Heat Options

Hold both Heat (  ) and Temp (  ); on the unit, for 2 seconds, when the heater has been disabled the display will read "--" and beep. To enable heat repeat this action.

be incorporated in the fixed wiring in accordance with the local wiring rules.

### Remote Control - See Fig. 3

The maximum range of use is ~ 5metres.

NOTE: It takes time for the receiver to respond to the transmitter.

NOTE: The receiver for the remote control is located in the display, aim the remote control in this direction when inputting commands.

Do not press the buttons more than once within two seconds for correct operation.

### Battery Information - See Fig. 3

1. To activate the remote control remove the clear battery isolation strip at the base of the remote control, which is used to ensure your remote control reaches you fully charged.

2. To replace the remote control battery, turn over the remote control, and follow the diagram embossed on the remote control

3. Only use CR2025 or CR2032 size of batteries.

### Installing Front Glass- See Fig. 5, 6 & 7

NOTE: The outer glass is shipped separate to the firebox.

1. Remove the three screws holding the side trim as shown in Fig. 5. and remove the metal trim.

2. Unpack the glass, ensure it is free from dust and finger marks and slide in to position as shown in Fig. 6.

3. Position the metal trim removed in step 1, and secure with the three screws as per Fig. 7

### Fitting- See Fig. 4

IMPORTANT: If not using a Dimplex mantel, the fireplace must be installed in an enclosure with the following MINIMUM dimensions(Figure 4).

1. Select a suitable location that is not susceptible to moisture and is at least 1 meter away from drapes, furniture and high traffic.

2. Store the fireplace in a safe, dry and dust free location.

3. Clearance for air circulation beneath the fireplace is provided by two spacers. DO NOT INSTALL FIREPLACE DIRECTLY ON CARPET OR SIMILAR SURFACES WHICH MAY RESTRICT AIR CIRCULATION. If installing the fireplace in a carpeted area, place a one-piece, solid flat surface under the fireplace. Ensure that all feet rest securely on this surface!

4. In some jurisdictions this appliance is supplied without a plug this is to comply with the local regulations. In such instances this appliance must be installed by a suitably qualified installer and the means for disconnection must

### New Wall Construction

1. Select a suitable location that is not susceptible to moisture and is away from drapes, furniture and high traffic.

2. Place the fireplace in the desired location to see how it will look in the room.

3. Mark the desired location on the floor.

4. Use studs to frame an opening of 680 mm wide X 585 mm high X 229 mm deep.

#### Option #1

The power cord can be run from behind the trim and along the wall to an outlet near the fireplace.

#### Option #2

A new outlet can be installed inside the framing construction. Plug the fireplace into a 10-13Amp/230-240 Volt outlet. If the cord does not reach you may use a 3-core type extension cord rated for a minimum of 10 Amps.

### Existing Fireplace

1. Seal all drafts and vents with a non-fibrous insulation material to prevent any chimney debris from falling onto the fireplace. Do not install into an existing fireplace that is prone to dampness.

2. Cap the top of the chimney flue to prevent rain from entering.

3. Plan your electric power supply.

4. The power cord can run along the front of the hearth to an outlet near the fireplace.

### Thermal Safety Cut-out

The built-in overheat cut-out, switches off the appliance automatically in the event of a fault! Should this occur switch off the appliance or disconnect the mains plug from the socket.

Remove any obstructions which may have caused the overheating. After a short cooling down phase, the appliance is ready for use again! If the fault should occur again, contact your local dealer!

WARNING: In order to avoid a hazard due to inadvertent resetting of the thermal cut-out, this appliance must not be supplied through an external switching device, such as a timer, or connected to a circuit that is regularly switched on and off by the utility.

### Maintenance

 **WARNING: ALWAYS DISCONNECT FROM THE POWER SUPPLY BEFORE ATTEMPTING ANY MAINTENANCE.**

### Light Emitting Diode

This fire is fitted with LED (Light Emitting Diode) lamps. These

LED lamps are maintenance-free and should not require replacing during the life of the product.

## Cleaning

**⚠ WARNING: ALWAYS DISCONNECT FROM THE POWER SUPPLY BEFORE CLEANING THE HEATER.**

For general cleaning use a soft clean duster – never use abrasive cleaners. The glass viewing screen should be cleaned carefully with a soft cloth.

DO NOT use proprietary glass cleaners.

To remove any accumulation of dust or fluff the soft brush attachment of a vacuum cleaner should occasionally be used to clean the outlet grille of the fan heater.

WARNING: do not operate the product without the grille and outer glass in position as this may effect the operation of the heater.

## Recycling

For electrical products sold within the European Community. At the end of the electrical products useful life it should not be disposed of with household waste. Please recycle where facilities exist. Check with your Local Authority or retailer for recycling advice in your country.



## After Sales Service

**Should you require after sales service or should you need to purchase any spares, please contact the retailer from whom the appliance was purchased or contact the service number relevant to your country on the warranty card.**

**Please do not return a faulty product to us in the first instance as this may result in loss or damage and delay in providing you with a satisfactory service. Please retain your receipt as proof of purchase.**



**Важные правила по технике безопасности**

Нужно соблюдать необходимые меры предосторожности при использовании электроприборов с целью снизить риск возникновения пожара, поражения электрическим током и травмирования людей, а именно:

Если прибор поврежден, прежде чем устанавливать или использовать его необходимо немедленно обратиться к поставщику.

Не используйте этот прибор возле ванны, душа или бассейна.

Не используйте вне помещения.

Прибор нельзя размещать непосредственно над или под установленной розеткой или распределительной коробкой.

 **ПРЕДУПРЕЖДЕНИЕ:** Прибор имеет предупреждающий символ, указывающий на то, что прибор нельзя накрывать или прибор имеет маркировку "Не накрывать прибор". Ни в коем случае не накрывайте и не заграждайте решетку теплоотвода, расположенную над горячим отверстием на приборе. Если прибор закрыт, может произойти перегрев. Не кладите вещи или одежду на прибор, не загромождайте циркуляцию воздуха вокруг прибора, например, шторами или мебелью, это может привести к перегреву и создать риск пожара. В случае неисправности отключите нагреватель. Также отключайте прибор, если в течение длительного времени нет необходимости его использовать. Сетевой шнур должен быть расположен справа от нагревателя, подальше от теплоотвода в нижней части прибора.

Этот прибор может использоваться детьми в возрасте не младше 8 лет и людьми с ограниченными физическими, психическими или умственными способностями, или не обладающими опытом и знаниями, при условии, что за ними есть надзор, либо они проинструктированы, как безопасно пользоваться прибором, и понимают сопутствующие опасности. Дети не должны играть с прибором. Дети без надзора взрослых не должны выполнять очистку и техническое обслуживание прибора.

Дети младше 3 лет, если за ними нет постоянного надзора, должны находиться подальше от прибора. Дети в возрасте от 3 до 8 лет могут включать и выключать прибор только при условии, что он помещен или установлен на предназначенное рабочее место, и за детьми есть присмотр, либо они проинструктированы, как безопасно пользоваться прибором, и понимают сопутствующие опасности. Детям в возрасте от 3 до 8 лет запрещается включать в сеть, регулировать и чистить прибор, или выполнять его техническое обслуживание.

**Прибор должен быть установлен так, чтобы**

**обеспечить доступ к вилке.**

Хотя этот прибор соответствует стандартам безопасности, мы не рекомендуем использовать его на коврах с высоким ворсом или на длинноворсовом покрытии. Во избежание опасности, в случае повреждения шнура питания его должен заменять изготовитель, сервисный агент или другой квалифицированный специалист.

**ВНИМАНИЕ:** Во избежание опасности самопроизвольного срабатывания теплового выключателя, нельзя заряжать этот прибор через внешнее переключающее устройство, например, таймер, или подключать к сети, которая регулярно включается и выключается энергокомпанией.

**ВНИМАНИЕ** - некоторые части этого изделия могут сильно нагреваться и стать причиной ожогов. Особенное внимание требуется там, где присутствуют дети и люди с особыми потребностями.

**Техническая информация**

Номер модели: DF2608-EUE, DF2608-EU, DF2608-AU

Теплоотдача 230V 240V

Номинальная теплоотдача	$P_{\text{ном}}$	1.9	-	2.0	кВт
-------------------------	------------------	-----	---	-----	-----

Минимальная теплоотдача	$P_{\text{минимум}}$	0.9	-	1.0	кВт
-------------------------	----------------------	-----	---	-----	-----

Максимальная непрерывная теплоотдача	$P_{\text{макс,с}}$	1.9	-	2.0	кВт
--------------------------------------	---------------------	-----	---	-----	-----

Дополнительное потребление электроэнергии

В режиме ожидания (SB)	элект. $S_B$	0.41	-	0.42	Вт
------------------------	--------------	------	---	------	----

с электронным регулятором температуры в помещении

**Общие сведения**

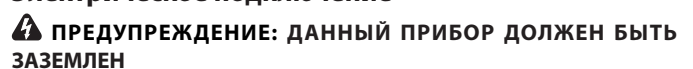
Аккуратно распакуйте нагреватель и сохраните упаковку для возможного использования в будущем в случае доставки или возврата обогревательного прибора поставщику.

В этом приборе эффект пламени может использоваться как с отоплением, так и без него, поэтому наслаждаться им вы можете в любое время года. Сам по себе эффект пламени требует небольшого расхода электроэнергии.

Перед подключением нагревателя убедитесь, что напряжение в электросети соответствует указанному на нагревателе показателю.

**Обратите внимание:** при использовании в помещениях, где шума практически нет, можно услышать звук устройства, обеспечивающего эффект пламени. Это нормально и не должно вызывать беспокойства.

**Электрическое подключение**

 **ПРЕДУПРЕЖДЕНИЕ:** ДАННЫЙ ПРИБОР ДОЛЖЕН БЫТЬ ЗАЗЕМЛЕН

Этот нагреватель должен использоваться только от сети переменного тока, а напряжение, указанное на обогревателе, должно соответствовать напряжению в сети электропитания.

Перед включением прибора необходимо ознакомиться с руководством по технике безопасности и инструкциями по эксплуатации.



Резкая смена температуры (например, перемещение прибора с мороза в теплое помещение) может вызвать конденсацию влаги внутри прибора и нарушить его работоспособность при включении.

Прибор после транспортировки или хранения при отрицательной температуре наружного воздуха, должен отстояться в теплом помещении не менее 3 часов, после чего можно осуществлять его ввод в эксплуатацию.

### Элементы управления: См. Рис. 3

	Знак	Изображение	Функция	Описание
A		-	Питание / Режим ожидания	Нажмите один раз, чтобы включить прибор (ON). Нажмите второй раз, чтобы установить прибор в режим ожидания (STANDBY) (При возврате из режима ожидания «STANDBY» устройство вернется к предыдущим настройкам, если только прибор не отключить от сети электропитания - в этом случае будут восстановлены заводские настройки)
B			Таймер сна	Нажмите несколько раз, чтобы изменить значение «Таймера сна» (SLEEP TIMER) в пределах от 0,5 до 8 часов до выключения с шагом в 0,5 часов. На дисплее «Таймер сна» (SLEEP TIMER) отобразится оставшееся время. (Этот знак <b>зеленого</b> цвета)
C		Эффект пламени		Кнопка «Эффект пламени» (FLAME EFFECT) позволяет последовательно переключаться между 4 режимами - СЛАБОЕ ПЛАМЯ (LOW FLAME), СИЛЬНОЕ ПЛАМЯ (HIGH FLAME), ДЕМО-РЕЖИМ (DEMO MODE) и ВЫКЛЮЧЕНИЕ (OFF).
		F1	Слабое пламя	В этом режиме эффект пламени будет иметь низкий уровень яркости. (На дисплее появится F1)
		F2	Сильное пламя	В этом режиме эффект пламени будет иметь высокий уровень яркости. (На дисплее появится F2)
		FP	Демо-режим	В этом режиме слабые и сильные уровни яркости эффекта пламени будут постепенно чередоваться. (На дисплее появится FP)
		-	Выключение	В этом режиме эффект пламени выключится. При включении нагревателя загорается дисплей, который будет работать на протяжении всего времени работы нагревателя и на котором будет отображаться температура и режим работы - СЛАБОЕ ПЛАМЯ/СИЛЬНОЕ ПЛАМЯ/ОХЛАЖДЕНИЕ
D		Деревянные поленья (Log Effect)		Кнопка «Деревянные поленья» (LOG EFFECT) позволяет последовательно переключаться между 3 режимами, "Пульсирующие поленья" (PULSING LOGS), "Статические поленья" (STATIC LOGS) и Выключение (OFF).
		LP	Пульсирующие поленья	В этом режиме поленья будут пульсировать. (На дисплее появится FP)
		LS	Статические поленья	В этом режиме эффект деревянных поленьев будет включен. (На дисплее появится FS)
		-	Выключение	В этом режиме эффект деревянных поленьев будет выключен.
E		-	Вкл / Выкл	Эта кнопка позволяет включить и выключить верхний свет.
F		Степень нагрева		<b>Кнопка «СТЕПЕНЬ НАГРЕВА» (HEAT) позволяет постепенно переключаться между 4 режимами: НИЗКАЯ ТЕМПЕРАТУРА (LOW HEAT), ВЫСОКАЯ ТЕМПЕРАТУРА (HIGH HEAT), ОХЛАЖДЕНИЕ (COOL BLOW) и ВЫКЛЮЧЕНИЕ (OFF). Режим нагрева будет отражаться на свободном дисплее, см. Рис.1.</b>  <b>Когда эффект пламени включается, свободный дисплей выключается через 5 секунд, хотя нагреватель может использоваться независимо от работы эффекта пламени. Обозначение низкой или высокой температуры постоянно отражается на свободном дисплее.</b>
			Низкая температура	<b>Нагреватель будет работать в режиме «Низкая температура». Режим обозначается знаком «НИЗКАЯ ТЕМПЕРАТУРА» (LOW HEAT) и буквами «LO» на дисплее. (Этот знак оранжевого цвета)</b>
			Высокая температура	<b>На свободном дисплее обозначается как «Высокая температура» (HIGH HEAT). Режим имеет знак «ВЫСОКАЯ ТЕМПЕРАТУРА» (HIGH HEAT) и обозначается на дисплее буквами «HI».</b> (Этот знак красного цвета)
			Охлаждение	<b>Этот знак на свободном дисплее указывает на режим «Охлаждение» и обозначается знаком «ОХЛАЖДЕНИЕ» (COOL BLOW) и буквами «CB» на дисплее.</b> (Этот знак голубого цвета)
		-	Выключение	Нагреватель и вентилятор выключаются, это никак не отображается на свободном дисплее. Обратите внимание, для обеспечения безопасности процесса охлаждения прибора, вентилятор будет еще работать в течение 10-20 секунд после его выключения.
G		-	Понизить температуру	Нажмите несколько раз, чтобы понизить температуру нагревателя на 1 °градус Цельсия. Самая низкая температура, которую можно установить, это 5 °градусов Цельсия. Обратите внимание, как только вы остановитесь на нужной температуре, это значение промигает 3 раза и затем на дисплее отобразится определенная прибором температура в помещении. Если установленная температура ниже определенной температуры в помещении, нагреватель не включится.
H		-	Повысить температуру	Нажмите несколько раз, чтобы повысить температуру нагревателя на 1 °градус Цельсия. Самая высокая температура, которую можно установить, это 37 °градусов Цельсия. Обратите внимание, как только вы остановитесь на нужной температуре, это значение промигает 3 раза и затем на дисплее отобразится определенная прибором температура в помещении. Если установленная температура ниже определенной температуры в помещении, нагреватель не включится.

### Пользовательские режимы:

Название режима / Описание	Действие (Действия нельзя выполнить с помощью пульта дистанционного управления)
Изменение шкалы Цельсия (°C) на шкалу Фаренгейта (°F)	Нажмите одновременно Temp+ () и Temp- () на приборе и удерживайте их до тех пор, пока не раздастся звуковой сигнал и дисплей не начнет мигать. (Чтобы вернуться к шкале Цельсия, повторите это действие)

Отключить / Включить режим "Степень нагрева"	Удерживайте одновременно Степень нагрева (Temp) и Temp на приборе в течение 2 секунд и когда нагреватель выключится, на дисплее отобразится «--» и прозвучит звуковой сигнал. Чтобы включить режим "Степень нагрева", повторите это действие.
--	---

выполнено с использованием разъединительного устройства в соответствии с действующими местными правилами и нормами электробезопасности.

### Дистанционное управление - См. Рис. 3

Максимальный диапазон использования ~ 5 метров.

**ОБРАТИТЕ ВНИМАНИЕ:** Прибору необходимо время, чтобы отреагировать на сигнал пульта дистанционного управления.

**ОБРАТИТЕ ВНИМАНИЕ:** Ресивер пульта дистанционного управления расположен на дисплее, при указании команд направьте пульт дистанционного управления в этом направлении.

Для правильной работы не нажимайте кнопку чаще одного раза в течение двух секунд.

### Информация о батарее - См. Рис. 3

1. Для успешной работы пульта дистанционного управления снимите прозрачную изолирующую ленту батарейки, расположенную внизу пульта дистанционного управления, которая используется для полной зарядки вашего пульта дистанционного управления.

2. Чтобы заменить батарейку пульта дистанционного управления, переверните пульт дистанционного управления и следуйте схеме, указанной на пульте дистанционного управления.

3. Используйте только батарейки CR2025 или CR2032.

### Установка переднего стекла - См. Рис. 5, 6 и 7

**ОБРАТИТЕ ВНИМАНИЕ:** Внешнее стекло поставляется отдельно от топки.

1. Открутите три винта, которые удерживают боковую панель, как показано на Рис. 5. и снимите металлическую деталь.

2. Распакуйте стекло, убедитесь в том, что на нем нет пыли и следов от пальцев, как показано на рис. 6.

3. Установите на место металлическую деталь, снятую на шаге 1, и закрепите ее тремя винтами согласно Рис. 7

### Гарнитура - См. Рис. 4

**ВАЖНО:** Если камин Dimplex не используется, его необходимо установить в шкафу с указанными МИНИМАЛЬНЫМИ размерами (рисунком 4).

1. Место установки следует выбирать так, чтобы оно было защищено от влаги и находилось вдалеке от драпировок, мебели и проходов.

2. До установки камина храните его в безопасном, сухом и защищенном от пыли месте.

3. Благодаря двум подкладкам, расположенным внизу камину, обеспечивается свободное пространство для циркуляции воздуха. **НЕ УСТАНАВЛИВАЙТЕ КАМИН НЕПОСРЕДСТВЕННО НА КОВРЕ ИЛИ ПОДОБНОМ ЕМУ ПОКРЫТИИ ВО ИЗБЕЖАНИЕ СОЗДАНИЯ ПРЕПЯТВИЙ ДЛЯ ЦИРКУЛЯЦИИ ВОЗДУХА.** Если вы устанавливаете камин на ковровом покрытии, подложите под камин ровную, твердую и цельную подставку. Убедитесь в том, что все ножки камина надежно установлены на этой подставке.

4. С целью соблюдения всех локальных законодательных требований в некоторых странах оборудование поставляется без сетевого штекера. В таких случаях оборудование должно быть установлено соответствующим квалифицированным специалистом, и электрическое подключение должно быть

### Новая конструкция

1. Место установки следует выбирать так, чтобы оно было защищено от влаги и находилось вдалеке от драпировок, мебели и проходов.

2. Поместите камин в нужное вам место, чтобы посмотреть, как он будет выглядеть в комнате.

3. Пометьте указанное место на полу.

4. Используйте фиксаторы, чтобы сделать отверстия шириной 680 мм X 585 мм высотой X 229 мм.

#### Вариант №1

Сетевой шнур можно проложить за панелью и вдоль стены к розетке рядом с камином.

#### Вариант №2

Можно установить новую розетку внутри каркасной конструкции. Подключите камин к розетке в 10-13 Ампер / 230-240 Вольт. Если шнур имеет недостаточную длину, вы можете использовать 3-х сторонний удлинитель, рассчитанный минимум на 10 ампер.

### Используемый камин

1. Закройте все вентиляционные и сквозные отверстия неволокнистым изоляционным материалом, чтобы предотвратить падение продуктов сгорания из камина. Не устанавливайте в используемый камин любые предметы, повышающие сырость воздуха.

2. Закройте верхнюю часть дымохода во избежание попадания дождя.

3. Составляйте ваш график снабжения электроэнергией.

4. Сетевой шнур может проходить вдоль передней части камина к розетке рядом с ним.

### Выключатель термозащиты

Встроенный выключатель перегрева автоматически отключает прибор в случае неисправности! В этом случае выключите прибор или отсоедините сетевой штекер от розетки.

Удалите все препятствия, которые могли вызвать перегрев. После короткой фазы охлаждения прибор готов к использованию! Если неисправность возникла снова, обратитесь к местному дилеру!

**ВНИМАНИЕ:** Во избежание опасности самопроизвольного срабатывания теплового выключателя, нельзя заряжать этот прибор через внешнее переключающее устройство, например, таймер, или подключать к сети, которая регулярно включается и выключается энергокомпанией.

### Техническое обслуживание

**⚠ ПРЕДУПРЕЖДЕНИЕ: ВСЕГДА ОТКЛЮЧАЙТЕ ПРИБОР ОТ ЭЛЕКТРОСЕТИ ПЕРЕД ТЕМ, КАК НАЧАТЬ ЕГО РЕМОНТ.**

### Светодиод

Огонь оснащен LED (светодиодными) лампами. Эти светодиодные лампы не требуют технического обслуживания и не нуждаются в замене в течение срока службы прибора.

## Очистка

**⚠ ПРЕДУПРЕЖДЕНИЕ: ВСЕГДА ОТКЛЮЧАЙТЕСЬ ОТ ЭЛЕКТРОПИТАНИЯ ПЕРЕД ОЧИЩЕНИЕМ НАГРЕВАТЕЛЯ.**

Для общей уборки используйте мягкую чистую тряпку - никогда не используйте абразивные чистящие средства. Стеклоочиститель для просмотра следует тщательно очищать с помощью мягкой ткани.

НЕ ИСПОЛЬЗУЙТЕ индивидуально изготовленные очистители для стекла.

Для удаления скоплений пыли или пуха, иногда необходимо использовать мягкую щетку для пылесоса, чтобы очистить вытяжную решетку вентилятора нагревателя.

ВНИМАНИЕ: Не используйте прибор без решетки и внешнего стекла - это может повлиять на работу нагревателя.



## Вторичная переработка

Для электрических приборов, продаваемых в Европейском Сообществе. По окончании срока службы электрического прибора его не следует утилизировать вместе с бытовыми отходами. Пользуйтесь услугами предприятий по вторичной переработке, при наличии. Информацию о возможностях вторичной переработки в вашей стране можно получить у местных властей или оператора розничной торговли.

## Послепродажное обслуживание

**Если вам требуется послепродажное обслуживание или вам нужно приобрести какие-либо запасные части, обратитесь к продавцу, у которого было приобретено устройство, или обратитесь в сервисный номер, указанный в гарантийном талоне для вашей страны**

**Пожалуйста, не возвращайте неисправный продукт непосредственно нам, так как он может потеряться или повредиться при доставке и вы получите необходимое вам обслуживание с задержкой. Сохраните чек в качестве доказательства покупки.**

**Важлива інформація з техніки безпеки**

При використанні електроприладів, слід дотримуватися основних запобіжних заходів, щоб знизити ризик виникнення пожежі, ураження електричним струмом та травм персоналу, включаючи наступні: Якщо прилад пошкоджений, негайно зв'яжіться із постачальником перед установкою і експлуатацією.

Не використовуйте прилад в безпосередній близькості від ванни, душу або плавального басейну.

Не використовувати на відкритому повітрі. Цей пристрій не повинен бути розташований безпосередньо над або під штепсельною розеткою або розподільною коробкою.

**УВАГА:** Прилад має Символ Попередження про те, що його не потрібно накривати, або має етикетку із позначенням Не Накривати.

Не накривати і ніяким чином не перешкоджати на виході тепла, що розташований над вікном тепла на приладі. Це може призвести до перегріву, якщо прилад буде випадково накриваний. Не кладіть тканини або одяг на прилад та не перешкоджайте циркуляції повітря навколо приладу, наприклад за допомогою штор або меблів, так як це може привести до перегріву і пожежі небезпеки. У разі несправності вимкніть нагрівач із розетки. Витягніть прилад з розетки, коли не користуєтесь ним впродовж тривалого часу. Шнур живлення повинен бути розташований на правій стороні нагрівача далеко від тепла на нижньому боці приладу. Цей прилад можуть використовувати діти у віці від 8 років і старші та особи з обмеженими фізичними, сенсорними або розумовими здібностями або відсутністю досвіду і знань, якщо вони перебувають під контролем або мали вказівки щодо використання приладу безпечним способом і розуміють небезпеку у разі неправильного користування. Діти не повинні грати з приладом. Очищення і обслуговування приладу не мають проводити діти без нагляду.

Діти менше 3-х років не повинні наближатися до приладу, якщо за ними ніхто не спостерігає. Діти у віці від 3-х років і менше ніж 8 років повинні тільки вмикати / вимкати прилад за умови, що він був поміщений або встановлений в заданому нормальному робочому положенні, і вони знаходяться під контролем або отримали вказівки щодо безпечного використання приладу і розуміють небезпеку, пов'язану із використанням приладу. Діти у віці від 3-х років і менше 8 років не повинні підключати, регулювати і чистити прилад або виконувати чергове обслуговування.

**Прилад повинен бути встановлений так, щоб вилка була доступна.**

**Хоча даний прилад відповідає нормам безпеки, ми не рекомендуємо**

**використовувати його на глибокому ворсі або килимах із густим, довгим покриттям.**

**Якщо шнур живлення пошкоджений, він повинен бути замінений виробником або сервісним агентом або кваліфікованим фахівцем, щоб уникнути небезпеки.**

**УВАГА:** Для того, щоб уникнути небезпеки через випадковий скидання теплового вирізу, цей пристрій не повинен подаватися через зовнішній пристрій комутації, наприклад, таймер, або підключено до схеми, яка регулярно включається і вимикається утиліта. **УВАГА - Деякі частини даного продукту можуть бути дуже гарячими і викликати опіки. Особлива увага повинна бути приділена у випадках, де присутні діти і вразливі верстви населення.**

**Технічна інформація**

Модель №: DF2608-EUE, DF2608-EU, DF2608-AU

Теплова потужність **230V 240V**

Номінальна теплова потужність	$P_{\text{ном}}$	1.9	-	2.0	kW
-------------------------------	------------------	-----	---	-----	----

Мінімальна теплова потужність	$P_{\text{мін}}$	0.9	-	1.0	kW
-------------------------------	------------------	-----	---	-----	----

Максимальна безперервна Теплопродуктивність	$P_{\text{макс,с}}$	1.9	-	2.0	kW
---	---------------------	-----	---	-----	----

Додаткове споживання електроенергії

У режимі очікування	$eI_{\text{sb}}$	0.41	-	0.42	W
---------------------	------------------	------	---	------	---

**щодо контролю температури електронної кімнати****Загальне**

Розпакуйте нагрівач ретельно і збережіть упаковку для можливого використання в майбутньому в разі переміщення або повернення каміна до постачальника.

Вогонь включає в себе ефект полум'я, який може використовуватися з або без нагріву, так що цим ефектом можна користуватися в будь-який час року. Використання самого ефекту полум'я вимагає мало електроенергії.

Перед підключенням нагрівача перевірте, що напруга живлення є такою ж, як зазначено на нагрівачі.

**Зверніть увагу:** Використовується в умовах, де фоновий шум є дуже низький, тому можна почути звук, який пов'язаний з роботою ефекту полум'я. Це нормально і не повинно бути причиною для занепокоєння.

Різка зміна температури (наприклад, при перенесенні приладу з морозу в тепле приміщення) може спричинити конденсацію вологи всередині пристрою та негативно вплинути на його роботу після увімкнення.

Після транспортування або зберігання за температури нижче нуля пристрій має знаходитися вмикальній стані принаймні 3 години,

**Підключення до електромережі**

**УВАГА:** Даний прилад повинен бути заземлений

Цей нагрівач повинен бути використаний тільки із джерелом живлення змінного струму та напругою, що зазначена на нагрівачі, і яка повинна відповідати напрузі живлення.

Перед включенням, будь ласка, прочитайте вказівки з техніки безпеки та інструкції по експлуатації.

**Управління:** Див рис. 3

	Іконка	Дисплей	Функція	Опис
A		-	Живлення / Очікування	Натисніть один раз, щоб включити продукт «ON». Натисніть вдруге, щоб помістити продукт в режим «ОЧІКУВАННЯ» (При поверненні з режиму «ОЧІКУВАННЯ» продукт повернеться до попередніх налаштувань, якщо продукт не був вимкнений із розетки, в цьому випадку він буде скинутий до заводських налаштувань)
B			Таймер сну	Натисніть кілька разів, щоб змінити «ТАЙМЕР СНУ» з кроком 0,5 год від 0,5 год до 8,0 год перед вимиканням. Час, що залишився на дисплеях «ТАЙМЕР СНУ». Ця іконка є <b>Зеленого</b> кольору
C		Ефект полум'я		Кнопка 'Ефект полум'я' рухається по колу блока послідовно через установку 4, НИЗЬКЕ ПОЛУМ'Я, ВИСОКЕ ПОЛУМ'Я, демонстраційний режим і вкл.
		F1	НИЗЬКЕ ПОЛУМ'Я	Ця установка буде працювати як ефект полум'я на низькому рівні яскравості. (На дисплеї з'явиться F1)
		F2	ВИСОКЕ ПОЛУМ'Я	Ця установка буде працювати ефект полум'я на високому рівні яскравості. (На дисплеї з'явиться F2)
		FP	Демонстраційний режим	Ця установка буде повільно коливати ефект полум'я між низькою і високою яскравістю. (На дисплеї буде показаний FP)
		-	Викл	Це дозволить включити ефект полум'я. Якщо нагрівач працює, дисплей активується і залишається активним для читання заданої температури і щоб показати, якщо продукт знаходиться на СЛАБКОМУ ВОГНІ/ ВИСОКОМУ ВОГНІ/ ОХОЛОДЖЕННІ.
D		Ефект деревини		Кнопка 'ЕФЕКТ ДЕРЕВИНИ' рухається по колу блока послідовно через 3 параметра, «ДЕРЕВИНА, ЩО РУХАЄТЬСЯ, СТАТИЧНА ДЕРЕВИНА і ВИКЛ.
		LP	Деревина, що рухається	Ця установка зробить так, що деревина рухатиметься. (На дисплеї буде показаний FP)
		LS	Статична деревина	Цей параметр змусить деревина тліти. (На дисплеї буде відображатися FS)
		-	Викл	Цей параметр вимкне колод.
E		-	Вмк / Вимк	Ця кнопка вмикає і вмикає верхнє світло «Вмк» і «Вимк».
F		Нагрівання		<b>«HEAT» циклів кнопки блок послідовно через 4 настройки: LOW HEAT, HIGH HEAT, COOL Blow і OFF. Термоналаштування будуть позначені значком в плаваючому дисплеї див. Рис.1.</b>  <b>Коли ефект полум'я «Вмк» плаваючий дисплей вимкнеться через 5 секунд, однак якщо нагрівач використовується незалежно від ефекту полум'я. Низький рівень високої температури або значок тепла буде з'являтися в плаваючому дисплеї.</b>
			Низьке виділення тепла	<b>Ця установка буде працювати в режимі обігріву на «НИЗЬКА ТЕМПЕРАТУРА» цей параметр буде відзначений значком «НИЗЬКА ТЕМПЕРАТУРА» і букви «LO» з'являться на дисплеї. (Ця іконка помаранчевого кольору)</b>
			Висока температура	<b>Цей значок в плаваючому дисплеї вказує на «ВИСОКУ ТЕМПЕРАТУРУ» цей параметр буде позначений значком «ВИСОКА ТЕМПЕРАТУРА» і букви «HI» з'являться на дисплеї. (Ця іконка червоного кольору)</b>
			Охолодження	<b>Цей значок в плаваючому дисплеї вказує на «ОХОЛОДЖЕННЯ» цей параметр буде позначений значком «ОХОЛОДЖЕННЯ» і буквами «CB» з'являться на дисплеї. (Ця іконка синього кольору)</b>
		-	Викл	Ця кнопка перемикає нагрівач і вентилятор «ВИМК», значок не буде доступний на широкому в плаваючому дисплеї. Зверніть увагу, що вентилятор буде працювати протягом 10-20 секунд після вимкнення цього пристрою, щоб забезпечити, що продукт остигає безпечно.
G		-	Темп вниз	Натисніть кілька разів, щоб знизити температуру нагрівача на 1 ° - С. Найнижча температура, яка може бути встановлена - 5 °С. Примітка: Після того, як ви зупинилися на потрібній температурі, кнопка буде блимати 3 рази, а дисплей покаже температуру в приміщенні, як визначається продуктом. Якщо встановлена температура нижче, ніж виявлена кімнатна температура, нагрівач не буде діяти.
H		-	Темп вверх	Натисніть кілька разів, щоб підвищити температуру нагрівача на 1 ° - С. Найвища температура, яка може бути встановлена - 37 °С. Примітка: Після того, як ви зупинилися на потрібній температурі, кнопка буде блимати 3 рази, а дисплей покаже температуру в приміщенні, як визначається продуктом. Якщо встановлена температура нижче, ніж виявлена кімнатна температура, нагрівач не буде діяти.

### Режими:

Назва режиму / Опис	Дія (Дії не можуть бути введені за допомогою пульта дистанційного керування)
Змінити Цельсій (°C) на Фаренгейт (°F)	Натисніть Temp+ разом (  ) з Temp- (  ) на пристрої та утримуйте їх, поки не почуєте звуковий сигнал і блимання на дисплеї. (Для того, щоб повернутися до Цельсія повторіть цю дію)
Відключити / Включити опції тепл	Утримуйте і кнопку Heat (  ) і (  ), на пристрої протягом 2 секунд, коли нагрівач був вимкнений на дисплеї з'явиться напис «» і звуковий сигнал. Щоб увімкнути тепло, повторіть цю операцію.



Максимальний діапазон використання становить ~ 5 метрів.  
Примітка: приймачеві потрібен час, щоб відповісти на сигнал передавача.  
Примітка: Приймач для пульта дистанційного керування знаходиться на дисплеї, направте пульт дистанційного керування в цьому напрямку при введенні команди.  
Не натискайте кнопки більше одного разу протягом двох секунд для правильної роботи.

### Інформація про батарею - Див рис. 3

1. Для того, щоб активувати пульт дистанційного керування зніміть прозору смугу ізоляції з батареї на основі дистанційного керування, який використовується для забезпечення дистанційного керування і працює при повному зарядженні.
2. Для заміни батареї пульта дистанційного керування, переверніть пульт дистанційного керування, і дотримуйтесь схемами витиснених на пульті дистанційного керування
3. Використовуйте тільки батарейки розміру CR2025 або CR2032.

### Установка Переднє скло- Див рис. 5, 6 і 7

- Примітка: Зовнішнє скло поставляється окремо від топки.
1. Видаліть три гвинта, що утримують бічну обшивку, як показано на рис. 5. і зніміть металеву накладку.
  2. Розпаковуючи скло, переконайтеся, що воно не має пилу і помарок від пальців і не ковзає та утримує положення, як показано на рис. 6.
  3. Встановіть металеве облицювання, показане на кроці 1, і закріпіть за допомогою трьох гвинтів, як на фіг. 7

### Встановлення- Див. фіг 4

УВАГА: Якщо не використовується камінним Dimplex, камін повинен бути встановлений в корпусі з наступними мінімальними розмірами (Малюнок 4).

1. Виберіть відповідне місце, яке не піддається впливу вологи і, щонайменше 1 метр від драпіровок, меблів і високої прохідності.
2. Зберігайте камін в сейфі, сухий і пилу вільне місце.
3. Вільний простір для циркуляції повітря під каміном забезпечений двома прокладками. НЕ ВСТАНОВИТИ КАМІН БЕЗПОСЕРЕДНЬО НА КИЛИМ АБО ТАКИХ ПОВЕРХОНЬ, ЯКІ МОЖУТЬ RESTRICT Циркуляція повітря. При установці каміна в килимовому області, помістіть одну частину, тверду плоску поверхню під каміном. Переконайтеся, що всі ноги відпочивати безпечно на цій поверхні!
4. У деяких країнах цей прилад поставляється без вилки це повинні відповідати місцевим нормам. У таких випадках цей прилад повинен бути встановлений за допомогою suitably qualified установника і засіб для відключення повинно бути включено в стаціонарній проводці відповідно до місцевих правил проводки.

### Нове будівництво стіна

1. Виберіть відповідне місце, яке не піддається впливу вологи і знаходиться далеко від драпіровок, меблів і високою прохідністю.
2. Помістіть камін в потрібному місці, щоб побачити, як це буде виглядати в кімнаті.
3. Відзначте потрібне місце на полі.
4. Використовуйте шпильки до рами отвори 680 мм ширина X 585 мм висота X 229 мм глибини.

#### Варіант № 1

Шнур живлення може працювати через обшивку і уздовж стіни до розетки біля каміна.

#### Варіант № 2

Нова розетка може бути встановлена всередині конструкції обрамлення. Підключіть камін в розетку Volt 10-13Amp / 230-240. Якщо шнур не досягає, ви можете використовувати 3-жильний подовжувач типу кабелю з номінальним протягом як мінімум 10 ампер.

### існуючий Камін

1. Закрийте всі креслення і вентиляційні отвори з неволоконним ізоляційним матеріалом, щоб запобігти будь-якому димохід сміття від падіння на камін. Не встановлюйте в існуючий камін, який схильний до вогкості.
2. Закриває верхню частину димоходу, щоб запобігти дощ від введення.
3. Планування електропостачання.
4. Шнур живлення може працювати разом передня частина вогнища в розетка біля каміна.

### Термічна безпеку Виріз

Вбудований тепловий вимикач, відключає прилад автоматично в разі несправності! Якщо це станеться вимкнути прилад або від'єднати штекер з гнізда.  
Видаліть всі перешкоди, які могли викликати перегрів. Після короткого періоду охолодження фази, прилад знову готовий до роботи! Якщо несправність повинна відбутися знову, зверніться до місцевого дилера!  
УВАГА: Для того, щоб уникнути небезпек через випадковий скидання теплового вирізу, цей пристрій не повинен подаватися через зовнішній пристрій комутації, наприклад, таймер, або підключено до схеми, яка регулярно включається і вимикається утиліта.

### Обслуговування

**⚠ УВАГА: ЗАВЖДИ ВІДКЛЮЧАЙТЕ ВІД ЕЛЕКТРОМЕРЕЖІ ПЕРЕД БУДЬ ОБСЛУГОВУВАННЯ.**

### Світловипромінюючий діод

Цей вогонь оснащений LED (Light Emitting Diode) лампи. Ці світлодіодні лампи не вимагають технічного обслуговування і не вимагає заміни протягом усього терміну служби виробу.



## Очищення

**⚠ УВАГА: ЗАВЖДИ ВІДКЛЮЧАЙТЕ ВІД ЕЛЕКТРОМЕРЕЖІ ПЕРЕД ОЧИЩЕННЯМ нагрівача.**

Для загального очищення використовуйте м'яку чисту ганчірку - ніколи не використовуйте абразивні чистячі засоби. Переглядовий екран скло повинне бути ретельно протирати м'якою тканиною.

НЕ використовуйте патентовані очисники стекол.

Для того, щоб видалити будь-які накопичення пилу або пух м'якою фіксація щітки пилюсосу іноді має бути використана для очищення випускний решітки нагрівача вентилятора.

УВАГА: не використовуйте пристрій без решітки і зовнішнього скла в положенні, як це може вплинути на роботу нагрівача.

## Переробка

Для електричних виробів, що продаються в межах Європейського співтовариства. В кінці терміну корисної служби електротехнічних виробів не слід викидати разом зі звичайним сміттям. Пам'ятайте, що утилізація, де існують об'єкти. Перевірте з вашої місцевої адміністрації або роздрібною торгівлі для переробки поради у вашій країні.



## Післяпродажне обслуговування

**Якщо вам буде потрібно сервісне обслуговування або якщо вам необхідно придбати будь-які запасні частини, будь ласка, зв'яжіться з продавцем, у якого був придбаний даний пристрій або зателефонувати за номером служби, що мають відношення до вашої країни на гарантійному талоні.**

**Будь ласка, не повернути несправний продукт до нас в першу чергу, так як це може призвести до втрати або пошкодження і затримку в наданні належного рівня обслуговування. Будь ласка, збережіть квитанцію в якості підтвердження покупки.**

---

Производитель  
Глен Димплекс Ирландия  
Барн Роад Данлир Ко. Лаут,  
Ирландия



Импортер: ООО "АЛЕТ"  
Юр. адрес: 115432, Россия,  
г. Москва, пр-т Андропова,  
д. 18, корпус 5, 7 этаж

---

Официальный сайт в России: [dimplex.ru](http://dimplex.ru)